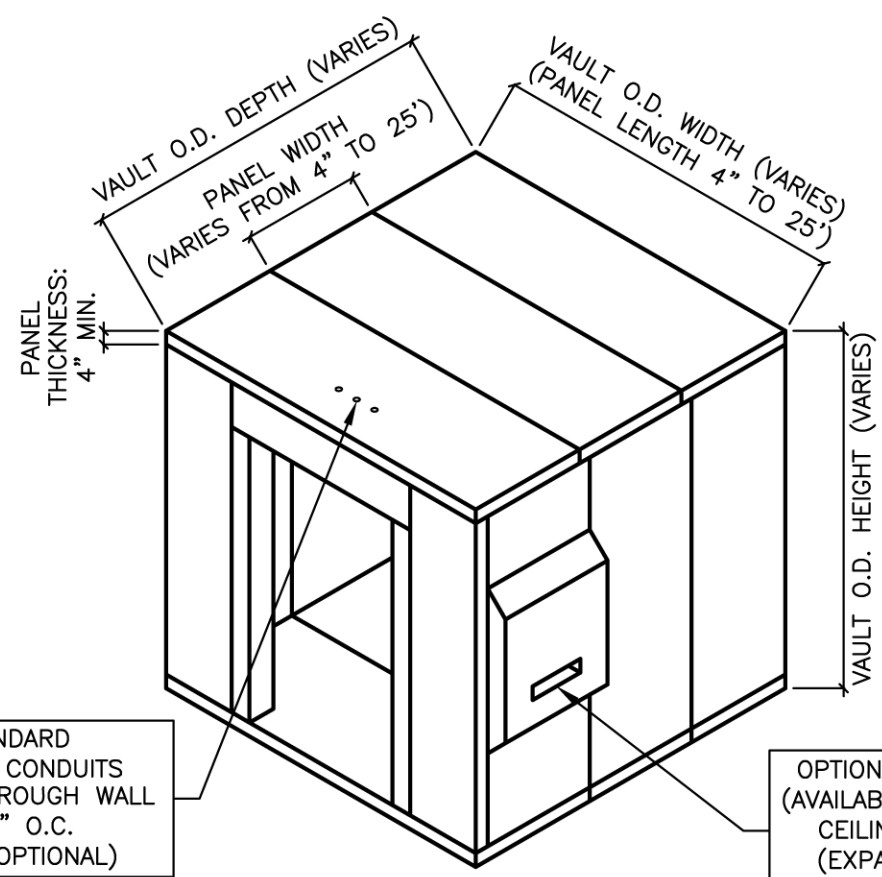


REV	DESCRIPTION	DATE	BY
A	Initial Issue	11/13/07	GML

GSA CLASS 5 MEGACRETE  
 MODULAR VAULT SUBMITTAL  
 GOVERNMENT DESIGNATION: TYPE II HEAVYWEIGHT  
 (STYLE A = 6-SIDED; STYLE B = 5-SIDED)  
 QUALIFICATION REFERENCE #: I-MV-1007  
 FEDERAL SPEC. - 2737

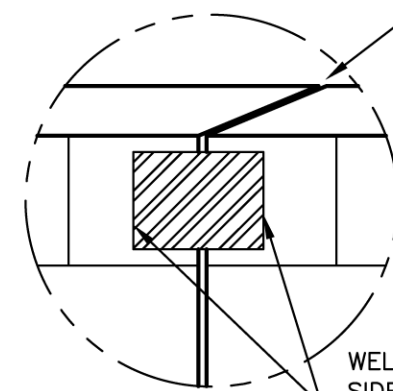


STANDARD  
 (3)  $\phi$ 1" CONDUITS  
 OFFSET THROUGH WALL  
 @ 4" O.C.  
 (MORE OPTIONAL)

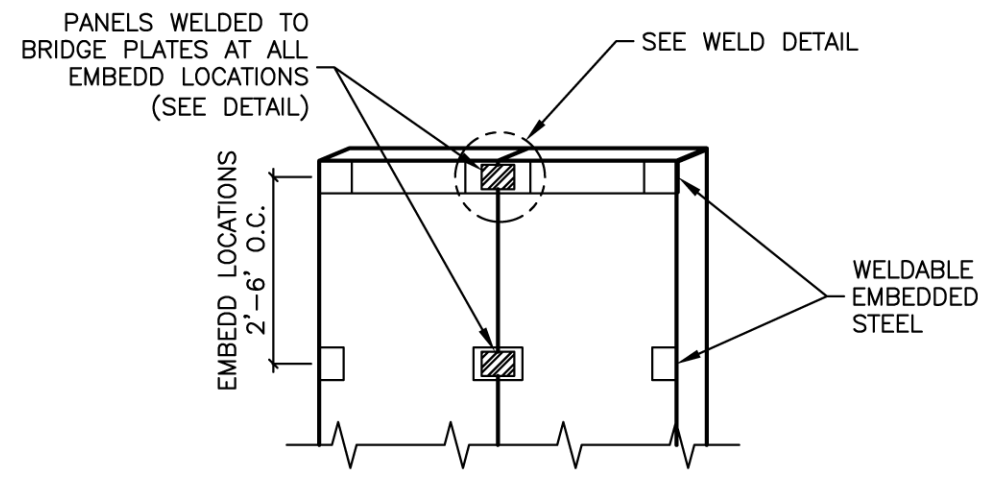
OPTIONAL PORT VENT  
 (AVAILABLE MOUNTED IN  
 CEILING OR WALL)  
 (EXPANDED METAL  
 COVERS OPTIONAL)

GSA CLASS 5 MEGACRETE  
 MODULAR VAULT

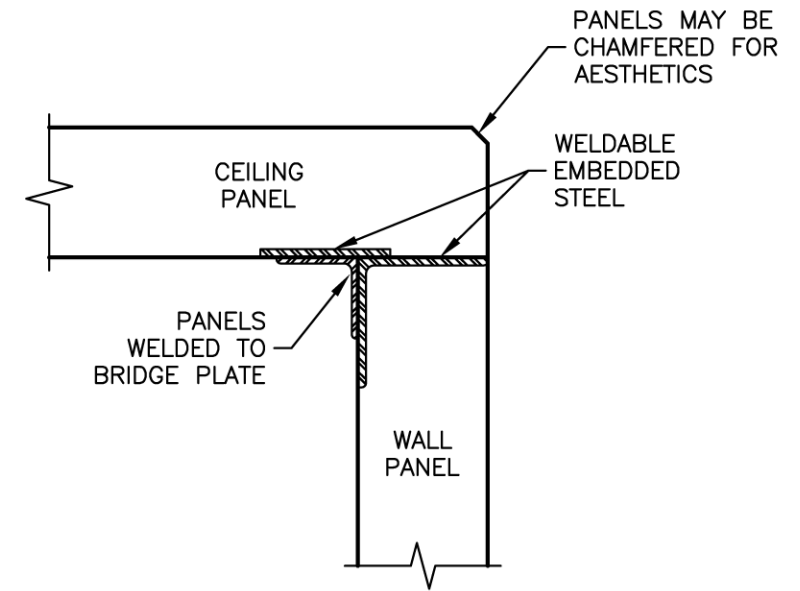
UP TO 1/2" GAP ALLOWABLE  
 BETWEEN PANELS - BACKER ROD  
 AND/OR GREY URETHANE CAULK  
 MAY BE USED TO FILL GAPS (ESP.  
 OUTDOOR APPLICATIONS)



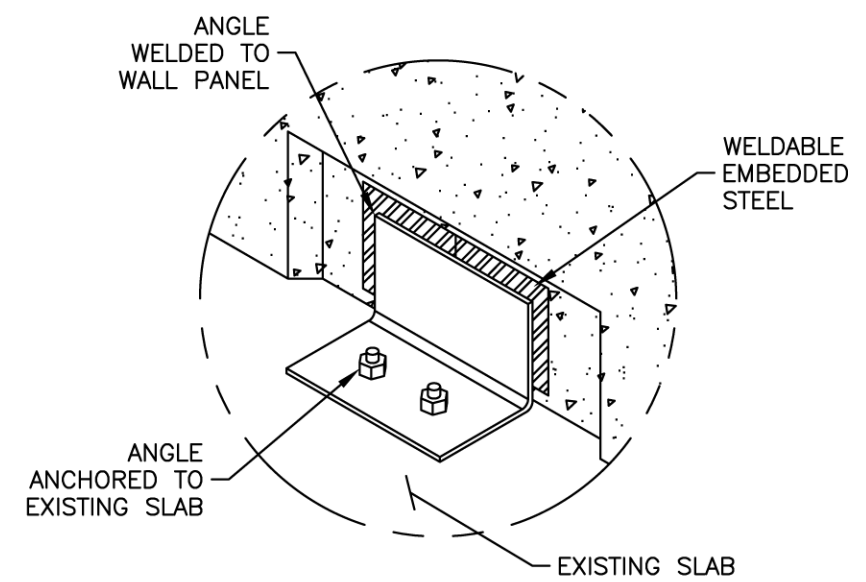
WELD 1/8" ON BOTH  
 SIDES OF PLATE (MINIMUM  
 STANDARD WELD FOR ALL  
 CONNECTIONS)



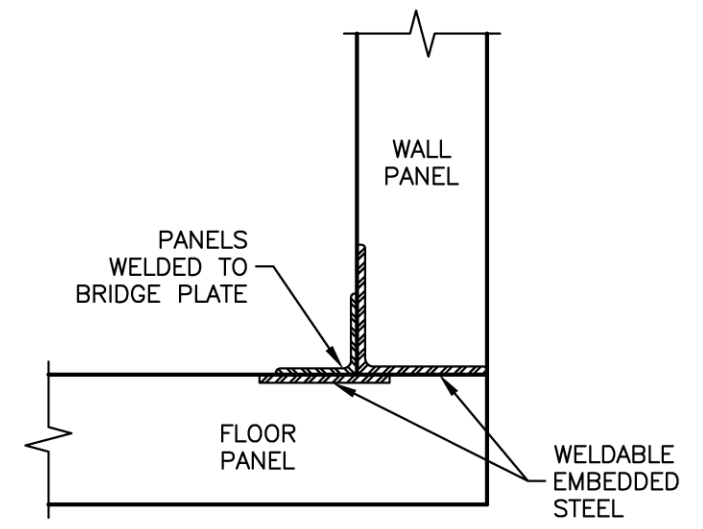
TYPICAL PANEL TO  
 PANEL CONNECTION



TYPICAL WALL TO  
 CEILING CONNECTION



TYPICAL WALL TO FLOOR  
 CONNECTION (5-SIDED VAULT)



TYPICAL WALL TO FLOOR  
 CONNECTION (6-SIDED VAULT)

NOTES:  
 1) PANELS CONSTRUCTED OF MEGACRETE AND STEEL  
 2) ALL EXPOSED STEEL TO BE RUST RESISTANT  
 3) ATTACHMENT METHODS SUBJECT TO CHANGE TO EQUIVALENT SPEC

**CustomVault**  
 The vault experts  
 4 Research Drive  
 Bethel, CT 06801  
 tel: 203.403.4205  
 fax: 203.403.4206  
 www.customvault.com

MATERIAL:	MEGACRETE
FINISH:	CONSTRUCTION GRADE
WEIGHT:	N/A
SHEET:	1 OF 1

ASSEMBLY NAME GSA CLASS 5 MODULAR VAULT		
SCALE NTS	PART NUMBER N/A	REVISION A